

CONCO™ ELECTRIFIED ARTICULATED JIB ARM

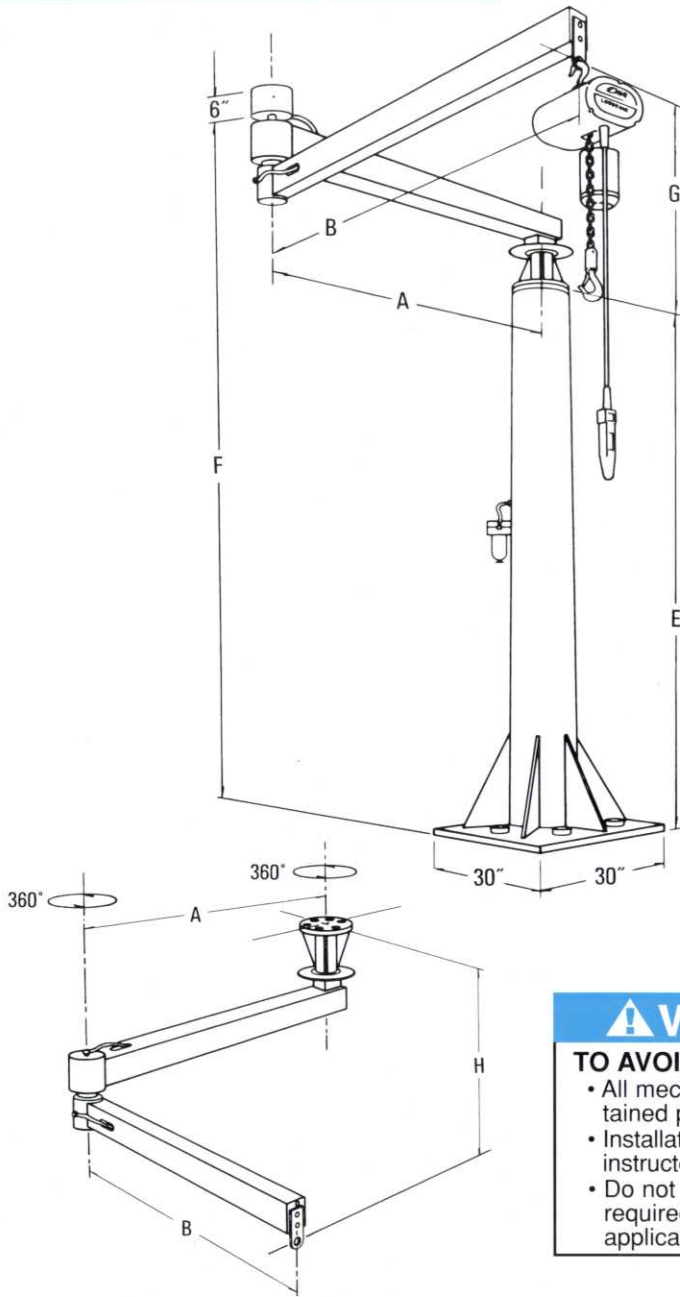


Electrified Lateral Flexibility

The new Conco electrified articulated jib arm gives operators the lateral maneuverability of an articulated jib arm with the added flexibility provided by an electric supply. It features two 360° pivot arms that can reach and operate in confined areas where standard jib arms cannot. Heavy bearings in both arms assure ease of movement and accurate positioning. These units come standard with conductor wire and electric plugs and can be floor or overhead mounted. With this unique electrification operators can add any of the wide range of available CM electric chain and wire rope hoists, and compatible CM electric end tools. That provides more options for efficient, ergonomic operation in tight spaces or where headroom limitations rule out use of conventional straight armed jibs.

See back cover for clearance dimensions

Conco Electrified Articulated Jib Arm



Mini Unit (Standard Pedestal 90")

Model No.	Capacity lbs. (kg.)	Reach ft. (m)	A	B	E
EAJ310-8P	310 (141)	8 (2.4)	56"	40"	90"
EAJ280-9P	280 (127)	9 (2.7)	63"	45"	90"
EAJ250-10P	250 (114)	10 (3.0)	70"	50"	90"
EAJ230-11P	238 (108)	11 (3.3)	77"	55"	90"
EAJ210-12P	210 (96)	12 (3.6)	84"	60"	90"
EAJ190-13P	190 (86)	13 (3.9)	91"	65"	90"
EAJ180-14P	180 (82)	14 (4.2)	98"	70"	90"
EAJ170-15P	170 (77)	15 (4.5)	105"	75"	90"

Reference Dimensions:

G is 3-7/8" H is 18-1/8" E + 16-1/4" = F

STANDARD UNIT (Standard Pedestal 98")

Model No.	Capacity lbs. (kg.)	Reach ft. (m)	A	B	E
EAJ1250-8P	1250 (569)	8 (2.4)	56"	40"	98"
EAJ1110-9P	1110 (505)	9 (2.7)	63"	45"	98"
EAJ1000-10P	1000 (455)	10 (3.0)	70"	50"	98"
EAJ910-11P	910 (414)	11 (3.3)	77"	55"	98"
EAJ835-12P	835 (380)	12 (3.6)	84"	60"	98"
EAJ770-13P	770 (350)	13 (3.9)	91"	65"	98"
EAJ715-14P	715 (325)	14 (4.2)	98"	70"	98"
EAJ665-15P	665 (302)	15 (4.5)	105"	75"	98"

Reference Dimensions:

G is 6-1/4" H is 31-5/8" E + 26-1/2" = F

HEAVY DUTY UNIT (Standard Pedestal 98")

Model No.	Capacity lbs. (kg.)	Reach ft. (m)	A	B	E
EAJ2000-8P	2000 (910)	8 (2.4)	56"	40"	98"
EAJ1785-9P	1785 (814)	9 (2.7)	63"	45"	98"
EAJ1600-10P	1600 (728)	10 (3.0)	70"	50"	98"
EAJ1460-11P	1460 (664)	11 (3.3)	77"	55"	98"
EAJ1340-12P	1340 (609)	12 (3.6)	84"	60"	98"
EAJ1256-13P	1256 (562)	13 (3.9)	91"	65"	98"
EAJ1150-14P	1150 (523)	14 (4.2)	98"	70"	98"
EAJ1071-15P	1071 (487)	15 (4.5)	105"	75"	98"
EAJ1000-15P	1000 (455)	16 (4.8)	112"	80"	98"

Reference Dimensions:

G is 11-3/4" H is 44-1/2" E + 36-1/2" = F

To convert to ceiling mount change suffix on model to C.

⚠ WARNING

TO AVOID INJURY:

- All mechanical equipment must be installed, operated and maintained properly.
- Installation, maintenance and operation must be carried out as instructed in the manual provided with the equipment.
- Do not use any CM product for lifting people; special equipment is required for this purpose. Refer to ASME/ANSI A-17 Series and applicable state and local codes for specific requirements.